



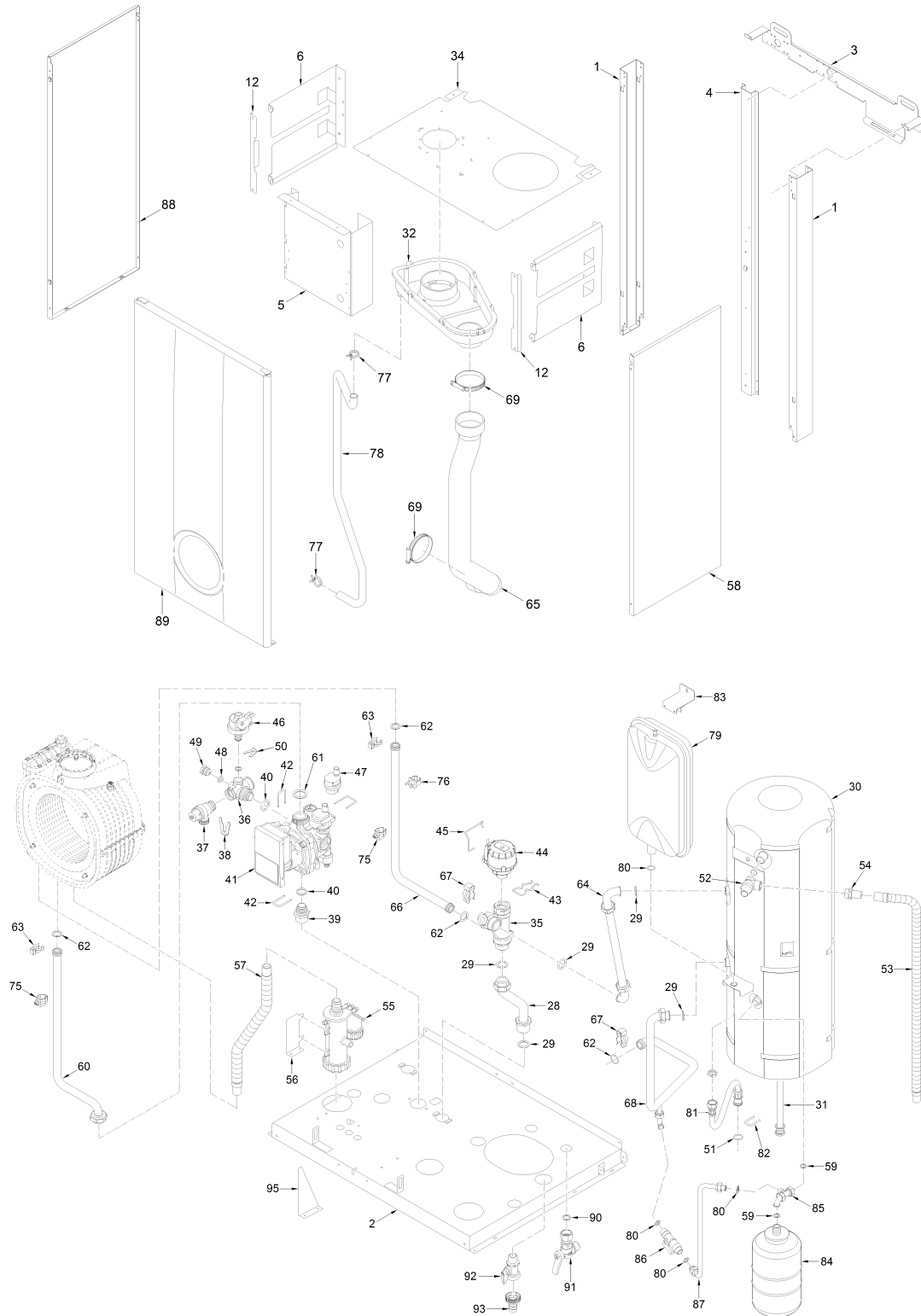
Fonderie Sime S.p.A. - Via Garbo, 27 - 37045 Legnago (VR) - www.sime.it
Tribunale Verona 13531 - R.E.A. VR 171357 - C.C.P. 19423375 - N° Mecc. VR 014435
Capitale Sociale Euro 5.521.200 int. versato - Codice Fiscale/Partita IVA n. IT 01275930236

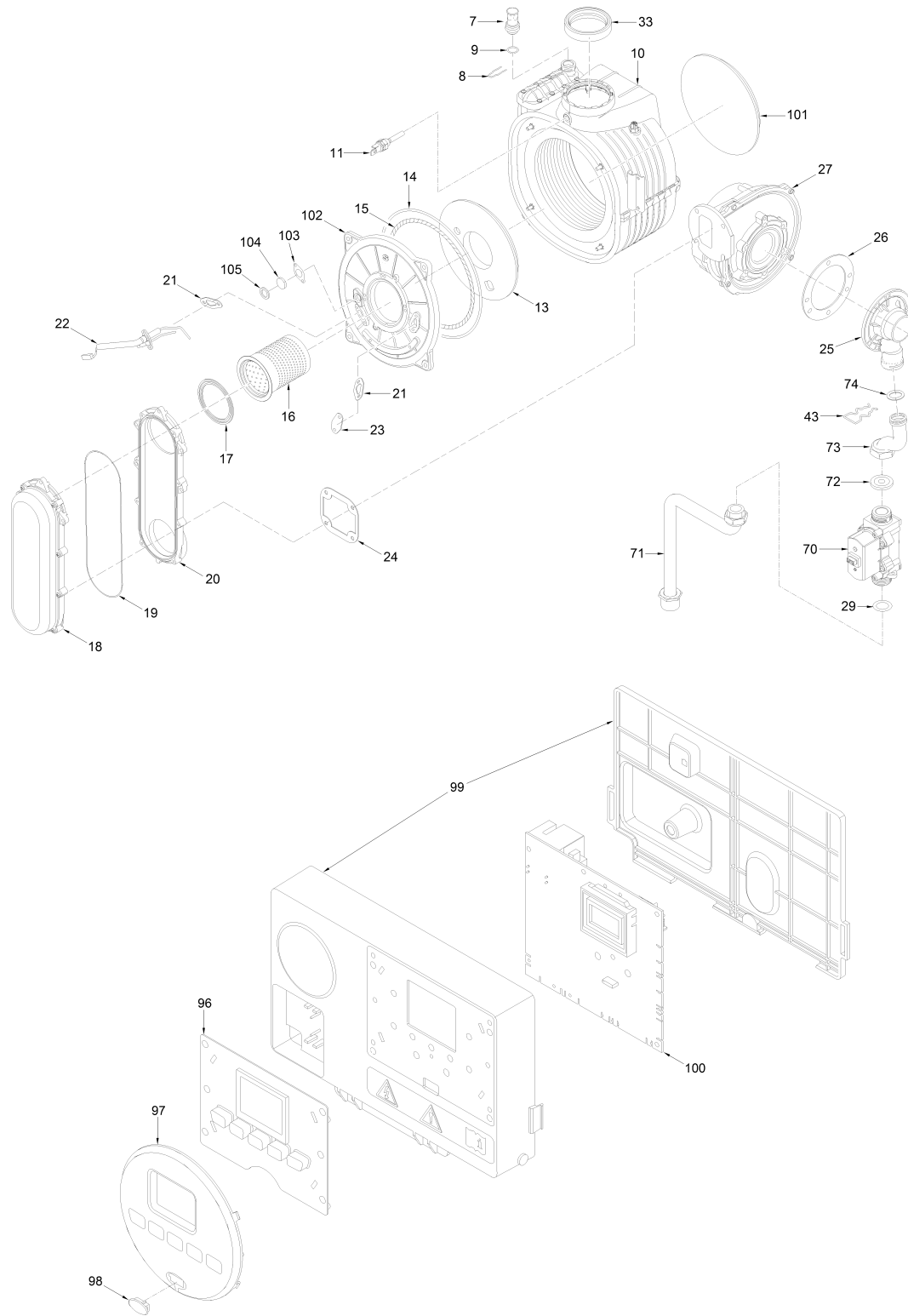
Comfort Ambiente - Via Garbo, 27 - 37045 Legnago (VR)

Tel +39 0442 631111 - Fax Servizio Commerciale: Italia +39 0442 631291 - Estero +39 0442 631293

Fax Servizio Tecnico +39 0442 631292 - Fax Ufficio Acquisti +39 0442 631292 - Fax Amministrazione +39 0442 631336

8114216 BRAVA SLIM HE 25/55 ErP





ATTENTION: use only original spare parts. Failure to comply with the above may compromise the safety of the device and the immediate forfeiture of the warranty.

Position	Code	Description	Where used	Advised parts	Price list
001	6138558	Right/left hand side frame part			23.67
002	6138886	Frame assembly lower side			27.61
003	6138711	Frame assembly upper support			0.0
004	6256714	Sealed chamber rear support			13.13
005	6073342	Exchanger support			26.99
006	6010890	Support exchangers bracket			3.77
007	6147412	Plug for air vent connection			5.24
008	6226624	Spring air vent knob			10.53
009	6226464	O-ring 115 diam. 11,91x2,62			1.3
010	6278913	Main exchanger body			519.5
011	6277130	Probe NTC D.4X40		A	19.73
012	6010892	Support exchangers bracket			0.75
013	6269008	Main exchanger door insulation			18.42
014	6248870	Combustion chamber O-ring			5.57

015	6248871	Glass fibre sealing cord		5.45
016	8076115	Burner + gasket kit		79.0
017	6174828	Gasket for burner flange		6.08
018	6278892	Air-gas hose		47.34
019	6174819	Air-gas hose gasket		10.21
020	6278891	Side low air-gas hose		47.34
021	6174809	Gasket for ignition electrode		2.63
022	6221672	Ignition-ionisation electrode	A	24.94
023	6285950	Bracket		0.87
024	6174816	Gasket for fan flange		1.3
025	6274390	Air/gas mixer		9.72
026	6028703	Gasket for duct flange	TO S.N.	5.24
026A	6028716	Gasket for fan/mixer	FROM S.N.	2.63
027	6261412	Fan	A	222.27
028	6277966	Flow pipe		28.86
029	2030228	Gasket Ø 17x24x2		0.68
030	5194303	Insulated stainless steel tank		735.06
031	6072708	Magnesium anode + plug 3/4" + O		27.61
032	6278703	Smoke chamber		14.0
033	6248828	Air inlet gasket Ø80		5.24
034	6291152	Upper protection shield		32.71
035	6265890	Flowing to C.H. system manifold		53.49
036	6265837	C.H. return manifold		32.22
037	6040225	Pressure relief valve 1/2" 3 ba	A	4.34
038	6226645	Spring clip		1.22
039	6120560	Pump nipple 3/4"		10.95
040	6226475	ORing diam.18,64x3,53		0.32
041	6272360	Modulating circulating pump		261.31
042	6226644	Spring clip for rotating connec		0.62
043	6226636	D.H.W. elektrovalve fix.spring		1.27
044	6087332	Motor for diverting valve	A	32.24
045	6226638	Divertor valve motor spring cli		2.42
046	6273612	Water pressure transducer		53.92
047	6013182	Automatic air vent	A	17.09
048	2030225	Gasket Ø 5,5x11x2		0.68
049	6147401	Plug 1/4"		2.63
050	6226639	Spring clip		1.27
051	6226476	ORing diam.15x2		0.73
052	6029000	Pressure relief valve 1/2" - 7	A	13.13
053	6034123	Flexible pipe L=840		4.72
054	6034320	Rubberholder 1/2		4.14
055	6277210	Water trap		18.53
056	6009578	Fixing bracket		5.22
057	6034122	Flexible pipe L=500		3.52
058	6242117	Casing right hand side panel		38.0
059	2030255	Gasket Ø 12,5x18,5x3		0.68
060	6227547	Outlet pipe		38.7
061	2030267	Piracriten gasket Ø 30x17x2		0.8
062	6226412	O-ring 3068		1.3
063	6226619	Spring for heat exchanger conne		5.24
064	6199219	Storage tank feeding pipe		0.0
065	6001162	Air intake pipe 40		16.52
066	6277967	Exchanger exit pipe		0.0
067	6226601	Spring for heat exchanger conne		2.63
068	6216024	D.H.W. storage tank return pipe		55.85
069	2051203	Hose clamp Ø 40-60		9.14
070	6243838	Gas valve	A	74.52
071	6277453	Connecting gas valve pipe		39.12
072	6050471	Nozzle 530	MET / GPL	7.65
073	6277444	Pipe connecting gas valve-mixer		7.54
074	6226477	Rubber gasket OR Ø 17x3		0.47
075	6231372	Temperature sensor	A	11.78
076	6146729	100°C safety stat	A	8.93
077	2051123	Clamp diam.		0.68
078	1010215	Rubber pipe dia. 15x2,5		13.13
079	5183722	Rectang. expansion vessel 10 l.		55.24
080	2030226	Gasket Ø 10,2x14,8x2		0.68
081	6017407	Flex. pipe F.M.3/8"x18,65 L=500		10.23
082	6226643	Pipe fixing spring		0.99
083	6267109	D.H.W. expans. vessel locking b		15.77
084	6245102	Sanitary D.H.W. tank - 2.5 L.		57.62
085	6227682	Pipe connecting D.H.W. expans.		11.83
086	6146601	Boiler loop 3/8"		13.13
087	6199220	Boiler feeding loop		0.0
088	6242217	Casing left hand side panel		36.52
089	6325082	Casing front panel		109.93
090	2030235	Gasket Ø 13.3x18.3x2		0.68

091	6177514	Ball cock 1/2"M - 1/2"F		19.73
092	6179100	Drain cock 3/8"		13.13
093	6179200	Holder complete with locking nu		5.24
095	6321406	Support bracket		5.24
096	6305131	Rubber button		7.29
097	6304831	Interface panel		20.06
098	6305140	Rubber cap		1.1
099	6304720	Control panel		28.37
100	6324920	Main P.C.B.	A	154.6
101	6281545	Replacement rear insulat. kit		26.31
102	5188361	Main exch.door+gasket+peephole		66.07
103	6311810	Glass fixing flange		3.88
104	6020103	Sight glass		3.65
105	6248872	Sight glass gasket		2.79
701	6278806	Air-gas hose group		47.34
702	6211794	Peephole kit + gasket		26.74
703	6319700	Springs / clamps kit DIN		18.22
704	6319695	Murelle-Format-.....o-ring kit		9.21
705	6281534	Gaskets kit		24.99
706	5202513	Complete control panel	TO SN 4851300091	217.88
707	6325650	4 pole cable connector CN13	TO SN 4851300091	12.75
708	6325652	6 pole cable connector CN12		12.75
709	6325653	4 pole cable connector CN14		0.0
710	6325651	14 pole cable connector CN15		12.75
711	6325654	9 pole cable connector CN1		0.0
712	6325655	6 pole cable connector CN2	TO SN 4851300091	0.0
713	6231330	Temperature sensor L=1120	A	17.09
714	5202516	Complete control panel	FROM SN 4851300092	0.0
715	6329447	4 pole cable connector CN13	FROM SN 4851300092	12.75
716	6329457	6 pole cable connector CN2	FROM SN 4851300092	12.75

A = Spare parts for minimum fittings